

## INSTRUCTIONS FOR INSTALLATION

# Kåbe Outlet drain

**1.** Place the Kåbe Outlet drain in the casting frame parallel to the door section. The lateral and depth positioning of the Outlet drain is determined by the siting of the drain pipe.

The upper edge of the Outlet drain should be flush with the lower flange of the casting frame = lower edge of mat.

**2.** Turn the Outlet drain clasps in the required direction.

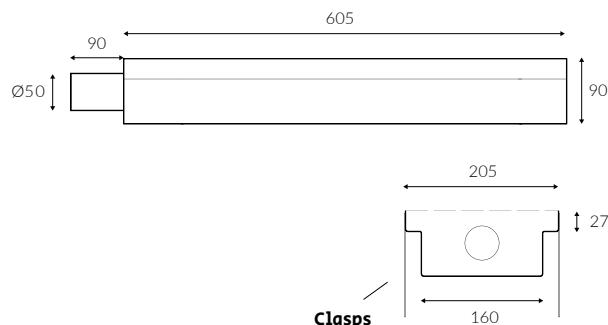
**3.** Commence casting.

NB The concrete must not be poured against the Outlet drain. Doing so can damage the mat, which requires a firm and flat base.

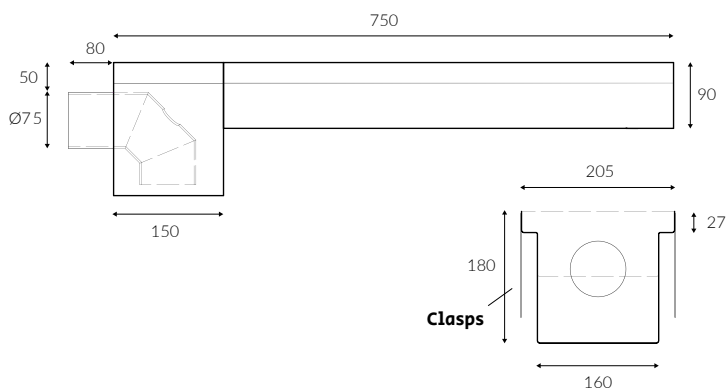
Kåbe Outlet drain require no particular maintenance. The only thing you need to do is clean the filter when necessary.

*The procedure for installing a casting frame is set out in a separate document.*

**600S** – with filter and sleeve for side connection.



**600VLS** – with filter and sleeve for side connection and water trap.



## Construction



1. Kåbe Outlet drain
2. Side connection for drain pipe
3. Water trap